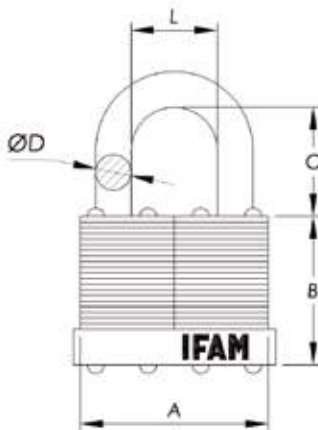




## FEATURES

- **Body:**
  - Made of hardened steel plates.
  - Shock protection on padlock's base.
- **Shackle:**
  - Made of steel.
  - Diameters: 5mm (LM30), 6.5mm (LM40), 9.5 mm (LM50), 11mm (LM60).
- **Opening / locking:**
  - Double locking mechanism.
- **Keys:**
  - Standard key.
  - Supplied with 2 keys.
- **Packaging:**
  - Blister packed.

## DIMENSIONS



	LM30	LM40	LM50	LM60
A	31	41	50	60,5
B	27	34	39	44
C	17	22	29	31,5
D	5	6,5	9,5	11
L	14	20	22,5	28